

support@elmeasure.com
Ph: +91 639-1010-320

EIMeasure India Private Limited

HO & Unit -1 :
47-P, Hardware Park, KIADB,
Huvinayakanahalli Bengaluru - 562149
Karnataka INDIA.

Unit -2 :
Goutham Garden, No.4,
Veerapandi, Coimbatore - 641 019
Tamilnadu INDIA

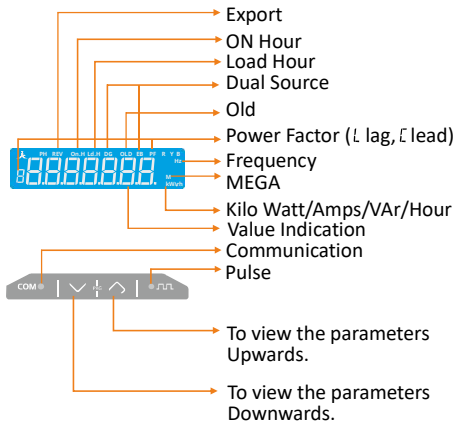
Sales Offices :
BENGALURU | CHENNAI | COIMBATORE | MUMBAI | DELHI | HYDERABAD | USA | UAE

PG/LGLCDN/V1/1019

1. FEATURES

- True RMS measurements.
- Simultaneous sampling of voltage and current.
- STAR, DELTA and 1PHASE Programmable wiring connections.
- Universal Auxiliary supply 80 - 300V AC/DC.
- Auto Scaling of Decimal point and Auto scrolling.
- Old register to store previously cleared Energy values.
- Communication and Pulse Indication LED's.
- Programmable CT & PT Ratio.
- Programmable Parameter selection.
- Positive Energy Accumulation and Reverse Lock Programmable.
- Programmable to kWh/kVAh.
- User programmable password protection.
- Auto Configuration of Meters for Device ID by Pressing Up key for 5Sec.
- During EB/DG the corresponding LED will be glowing where the energy is accumulated in EB/DG page respectively(LG 2520).

2. KEY & DISPLAY INDICATION



3. PROGRAMMING MODE

3.1 Programming Keys

- To select / Edit & save Value
- To decrement value

3.2 Setup Procedure

- Press + to enter setup mode .
- Enter Password (default 1000) blinking of digit indicates Edit is possible.
- Press to decrement value from 9 to 1.
- Press to move to the next digit till 4th digit .
- If Password is correct, editing is possible.
- Enters into clear mode and meter displays CLr.l (Refer 3.3).
- Press to view and press Up key to edit.
- Press to decrement values or to select from available options.
- Press to save the value / parameter.
- Press to edit next parameter till end of last parameter & display screen will prompt **SAVE** display reads **Y** (YES).
- Press to change to **n** (NO) .
- Press to save.

PROGRAMMING MANUAL

Little Genius

LG 2119 | LG 2520 | LG 2600



www.elmeasure.com

3.3 Clear Mode :

Press UP key	Display CLr.l. 'n' Options can be changed by pressing DOWN key. Display will prompt to 'y' or 'n' while pressing DOWN key.	Option : (YES)/(NO) 'y' (for clearing) 'n' (for not clearing)
Press UP key to Clear	Displays xxxxxx (Clear Mode ends here)	

3.4 Display

Programming Parameter	Default	Option/Range
Wiring Connections (EL)	EL STAR	StAr (Star)/ dELt(Delta)/ 1.Ph(1phase)
PT Primary(P.P)	PP 4150	100V to 999kV
PT Secondary(P.S)	PS 4150	50V to 550V
CT Primary(C.P)	CP 5000	0.5A to 99kA

CT Secondary(C.S)	CS 5000	0.5A to 6A
Reverse Lock(rE)	RE no	Yes/No
VA selection (VA)	VA VEC.H	Arth(Arithmetic)/ VECt(vector)/ VEC.H (Vector harmonics)
*Parameters (P1)	P1 EnrG	EnrG. (Energy) / bASC (Basic)/ PF(Power factor)/ WAtS (Watts)/VA
Baud rate (bA)	BA 9600	2400/4800/9600/19.20k /38.40k
Parity (Pr)	Pr EUEn	Odd/ no(none)/EVEN
Device Id (dU.)	dU 1000	1.000 to 247.0
Password (PW)	PW ----	1000 to 9999
Energy value format Selection(EN)	En RESL	COUN (Counter) / RESL (Resolution)

# Pulse output On time	PO 2500	Range: 50ms to 500ms
## Energy Selection(ES)	ES 4h	VAh/Wh.
Starting Current(A.S)	AS 0080	0.02% to 10.00%
Starting Voltage(V.S)	VS 1000	10V to 40V
Frequency Selection	nor FSEL	nor (Normal)/ dist (Distortion)

* Only for LG 2119

Not available in LG 2520

Not available in LG 2600

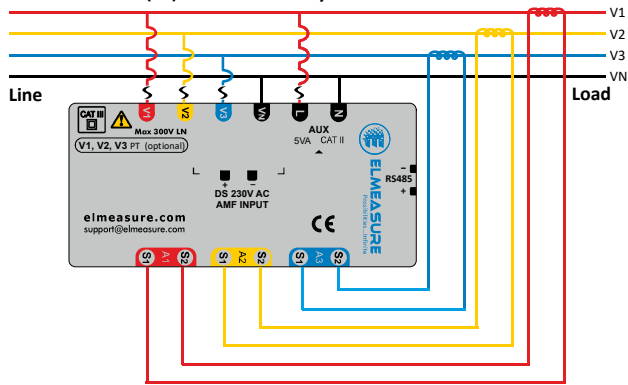
3.5 Enabling and Disabling Auto Scrolling

Press key for 5 Secs. Display shows : **EnbL.Au0** Again press down key to disable. Display shows : **d5bL.Au0**



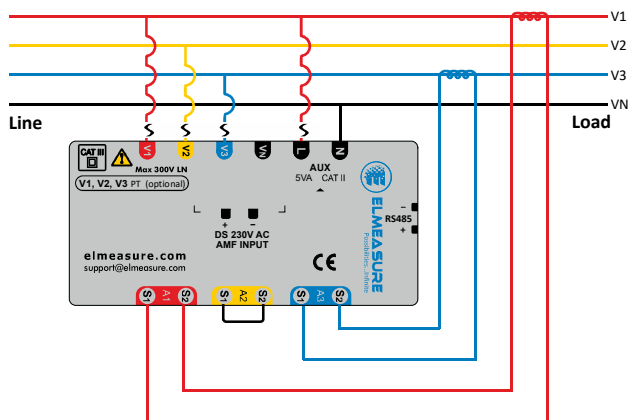
4. WIRING DIAGRAM

Star Connection (3E) 3 Phase 4 Wire system

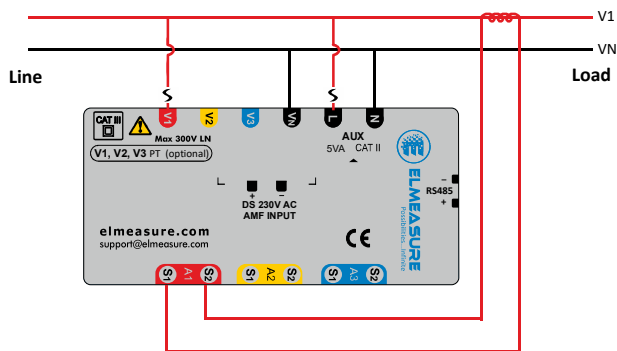


*Note: ✓ Fuse rating 500mA slow blow fuse.

Delta Connection (2E) 3 Phase 3 Wire system



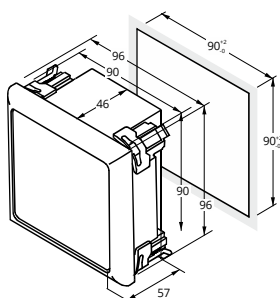
Single phase Connection



5. MECHANICAL SPECIFICATION

Dimension Bezel: 96 x 96 mm
(Depth 30/46mm behind Bezel)

Panel Cutout: $90\frac{1}{2} \times 90\frac{1}{2}$ mm



6. TROUBLE SHOOTING

- 1) Meter display does not turn ON.
 - a) Check that there is power supply applied on AUX supply terminals.
 - b) Check fuse connection (Use fuse connection of specified ratings).
- 2) Data displayed / reading incorrect.
 - a) Check that CT/PT ratios are properly set.
 - b) Check if proper configuration mode Star/Delta/1Phase is correctly set.
 - c) Check if proper frequency selection normal, distortion is selected properly.
- 3) PT reading are incorrect / Active Power reading is negative.
 - a) CT connections may be reversed, check and correct CT connection.
 - b) Check Voltage and current phases are connected in proper sequence.
- 4) RS485 communication does not work.
 - a) Check baud rate & parity maintained in the connected computers is same as meter.
 - b) Memory mapping in software is correct.
 - c) Check device ID of meter is unique & properly maintained.
 - d) Check converter is working properly.



7. INFORMATION

Manufacturer assumes no responsibility for a hazard or damage caused by incorrect or non-application of any of the instructions mentioned herein. ELMEASURE shall not be liable for any consequential or resulting injury or for loss, damage or expense directly or indirectly from the use of this product under any circumstances.

ELMEASURE does not claim any responsibility for the damage caused by using the product directly or indirectly as sufficient care has been taken to provide all information regarding the product. The user is advised to use according to the operating instructions, professional practices, wiring rules, codes, safety regulations applicable to the given installation.



8. CAUTION

During normal operation of this instrument, hazardous voltages are present at the rear terminals, which may cause injury or death. Installation, disconnection or removal of the meter should be carried out only by qualified, trained personnel, after de-energizing connected circuit. The warranty will become void incase the seal is broken, improper installation as well as improper grounding.