

Toll Free: 1800 120 5048
support@elmeasure.com

Elmeasure India Private Limited

Head office & Manufacturing Unit 1
Plot NO.: 47-P, KIADB Hardware Park,
Huvinayakanahalli, Bengaluru - 562 149,
Karnataka INDIA.

Manufacturing Unit 2
Goutham Garden, No.4, Veerapandi,
Coimbatore - 641019 Tamil Nadu, INDIA
T: 0422 2697200. TF: 0422 2695200
E: contactcbe@elmeasure.com

www.elmeasure.com

PG/SLDC/V1/0820



User Manual



SL VDC | SL ADC | μ A VDC | μ A ADC

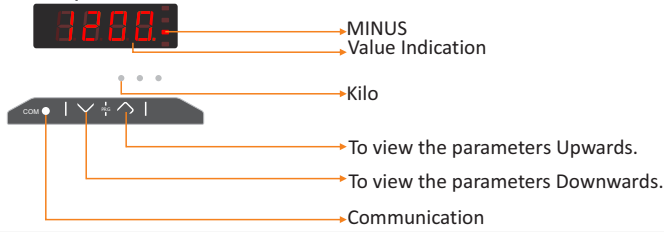
www.elmeasure.com

1. FEATURES

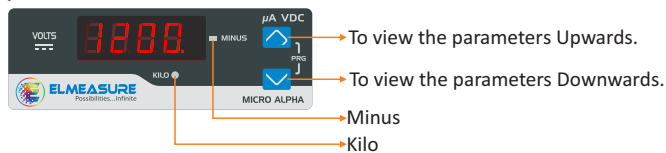
- Universal Auxiliary supply (24-300V AC/DC).
- Parameters VDC & ADC.
- 1 row 4 digit display.
- User configurable (Editable) password.
- Auto-scaling of kilo decimal point.

2. KEY & DISPLAY INDICATION

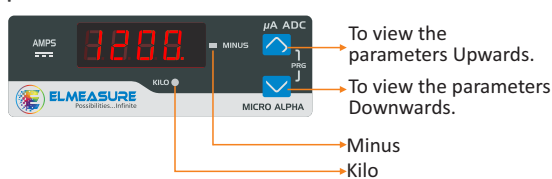
SL VDC | SL ADC



μ A VDC



μ A ADC



3. PROGRAMMING MODE

3.1 Programming Keys

- To select / Edit & save Value
- To decrement value

3.2 Setup Procedure

Press + Down to enter setup mode .
Enter Password (default 1000) blinking of digit indicates Edit is possible.
Press Down to decrement value from 9 to 1.
Press Up to move to the next digit till 4th digit .
If Password is correct, editing is possible.

Press Down to view and press Up key to edit.
Press Down to decrement values or to select from available options.
Press Up to save the value / parameter.
Press Down to edit next parameter till end of last parameter & display screen will prompt **SAVE** display reads **Y** (YES).
Press Down to change to **n** (NO) .
Press Up to save.

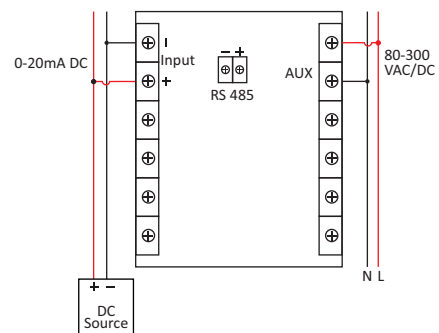
3.3 Display

Programming Parameter	Default	Option/Range
PT Primary(P.P)*	48.00	0.100 to 999.9kV
CT Primary(C.P)**	20.00	0.1 to 999.9kA
CT Shunt(C.S)**	75.00	50 to 100
Offset	0.6.F5	0.t.F.5 to 4.t.F.5
Baud rate (ba)	9600	4.800K/9.600K/19.20K/38.40K
Parity (Pr)	EVENPr	Odd/ no(none)/EVEN
Device Id (dU.)	1000dU	1.000 to 247.0
Password (PW)	----PU	1000 to 9999
Save	58U4	Yes or No

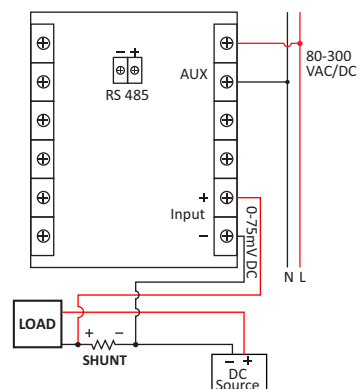
Note: *For VDC
**For ADC

4. WIRING DIAGRAM

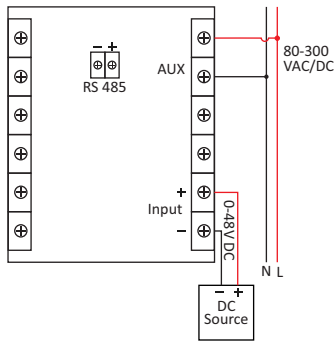
SL ADC



SL ADC

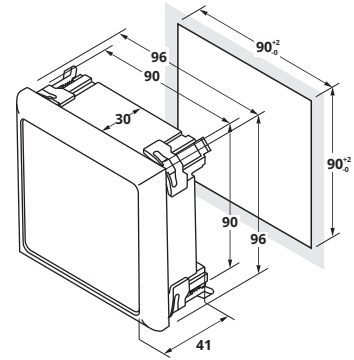


SL VDC

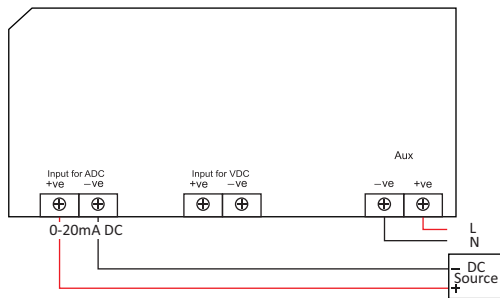


5. MECHANICAL SPECIFICATION

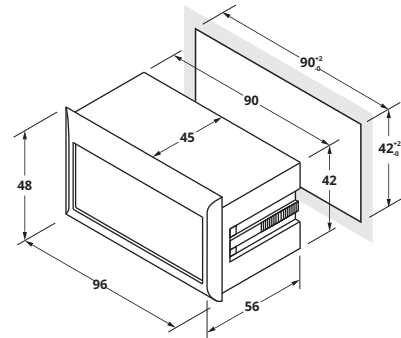
SLEEK



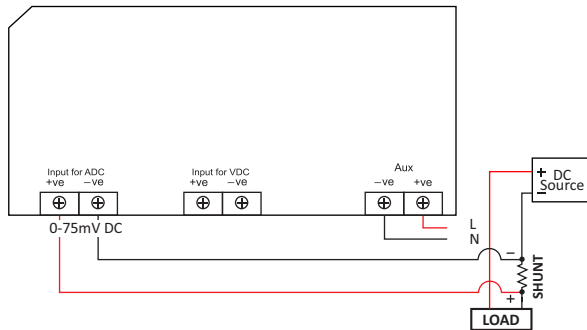
µA ADC



Micro Alpha



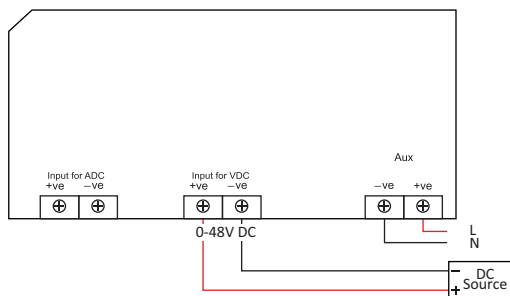
µA ADC



6. TROUBLE SHOOTING

- 1) Meter display does not turn ON.
 - a) Check that there is power supply applied on AUX supply terminals.
 - b) Check fuse connection (Use fuse connection of specified ratings).
- 2) Data displayed / reading incorrect.
 - a) Check that CT/PT ratios are properly set.
 - b) Check if proper configuration mode Star/Delta/1Phase is correctly set.
- 3) RS485 communication does not work.
 - a) Check baud rate & parity maintained in the connected computers is same as meter.
 - b) Memory mapping in software is correct.
 - c) Check device ID of meter is unique & properly maintained.
 - d) Check converter is working properly.

µA VDC



7. INFORMATION

Manufacturer assumes no responsibility for a hazard or damage caused by incorrect or non-application of any of the instructions mentioned herein. ELMEASURE shall not be liable for any consequential or resulting injury or for loss, damage or expense directly or indirectly from the use of this product under any circumstances.

ELMEASURE does not claim any responsibility for the damage caused by using the product directly or indirectly as sufficient care has been taken to provide all information regarding the product. The user is advised to use according to the operating instructions, professional practices, wiring rules, codes, safety regulations applicable to the given installation.



8. CAUTION

During normal operation of this instrument, hazardous voltages are present at the rear terminals, which may cause injury or death. Installation, disconnection or removal of the meter should be carried out only by qualified, trained personnel, after de-energizing connected circuit. The warranty will become void incase the seal is broken, improper installation as well as improper grounding.